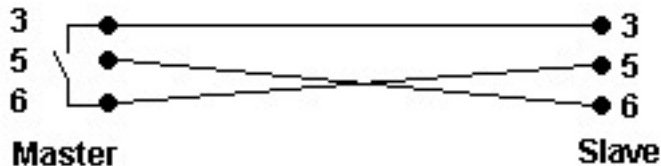


## Radio-to-radio cloning cable schematic



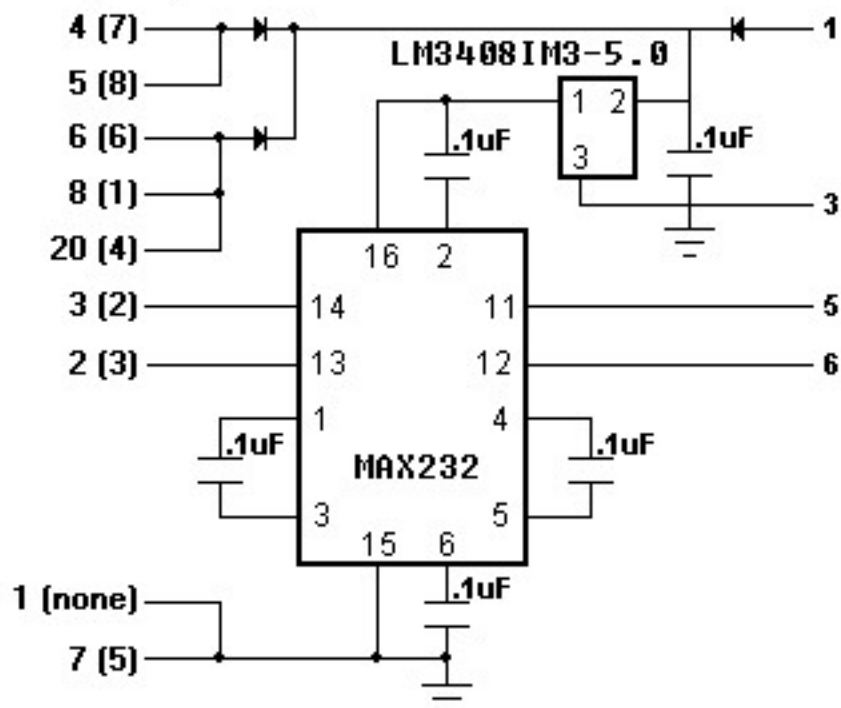
Note: momentary contact switch between pins 3 and 6 on master connector only. Can be used as a programming plug for single radio.



### B/K Radio Interface Box (RIB): RS-232 to Universal plug

Serial Com Port  
DB-25 (DB-9)

Radio Connector



Refer to Maxim data sheet for further information on the MAX232 TTL-RS232 level converting IC.

Refer to National's data sheet for LM3408IM3-5.0 +5 volt regulator



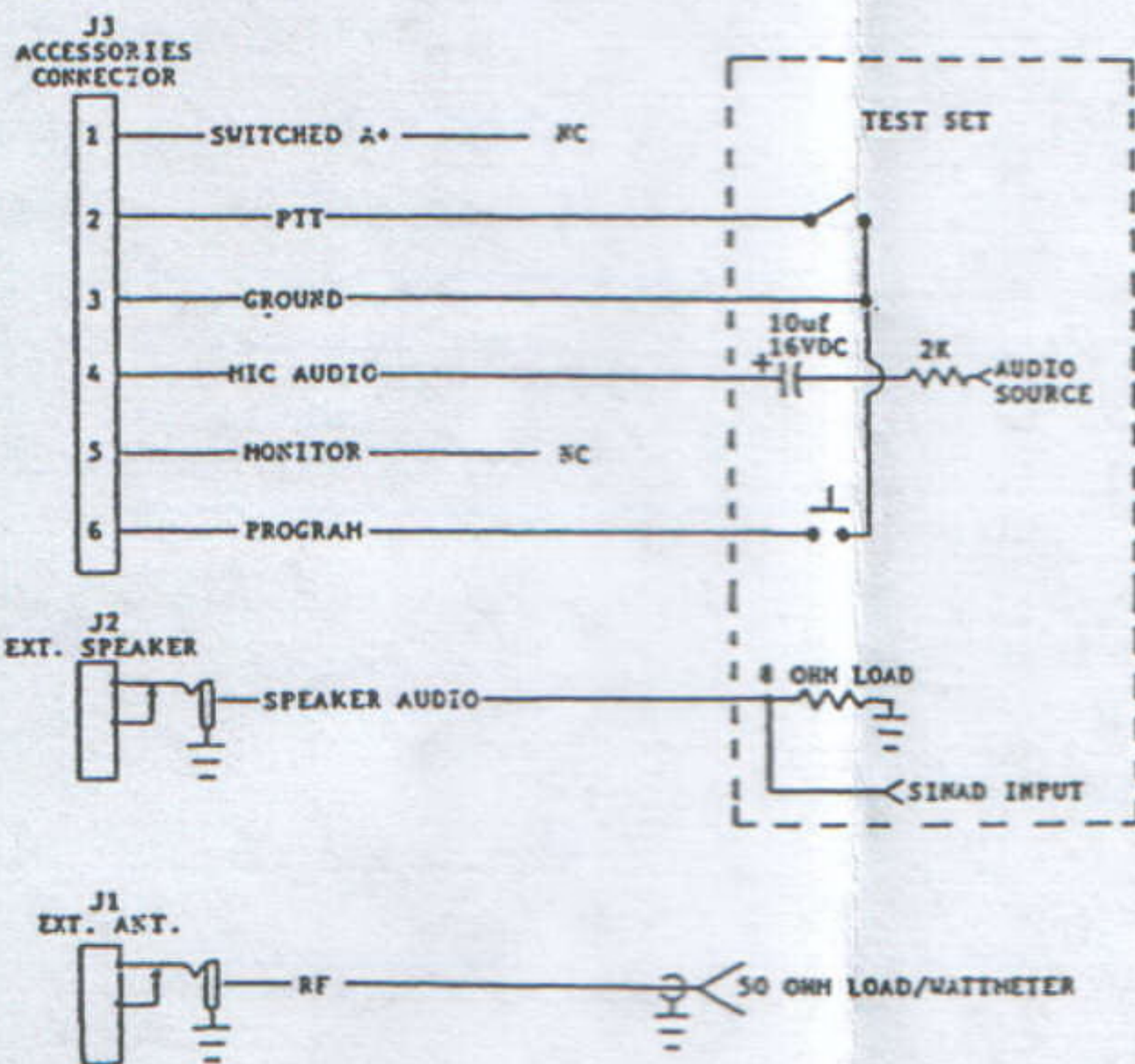
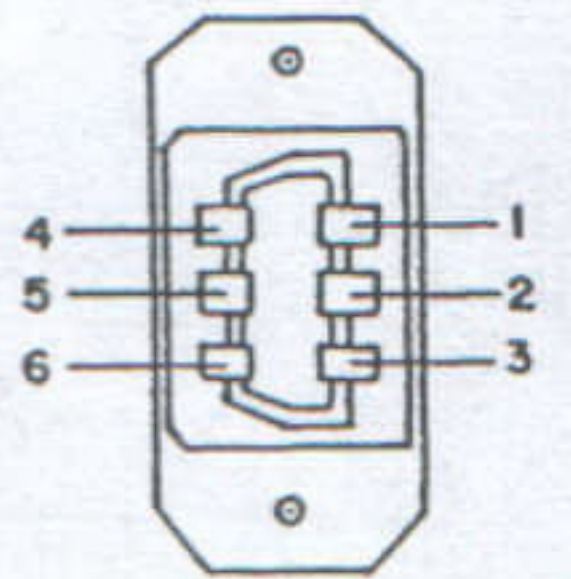
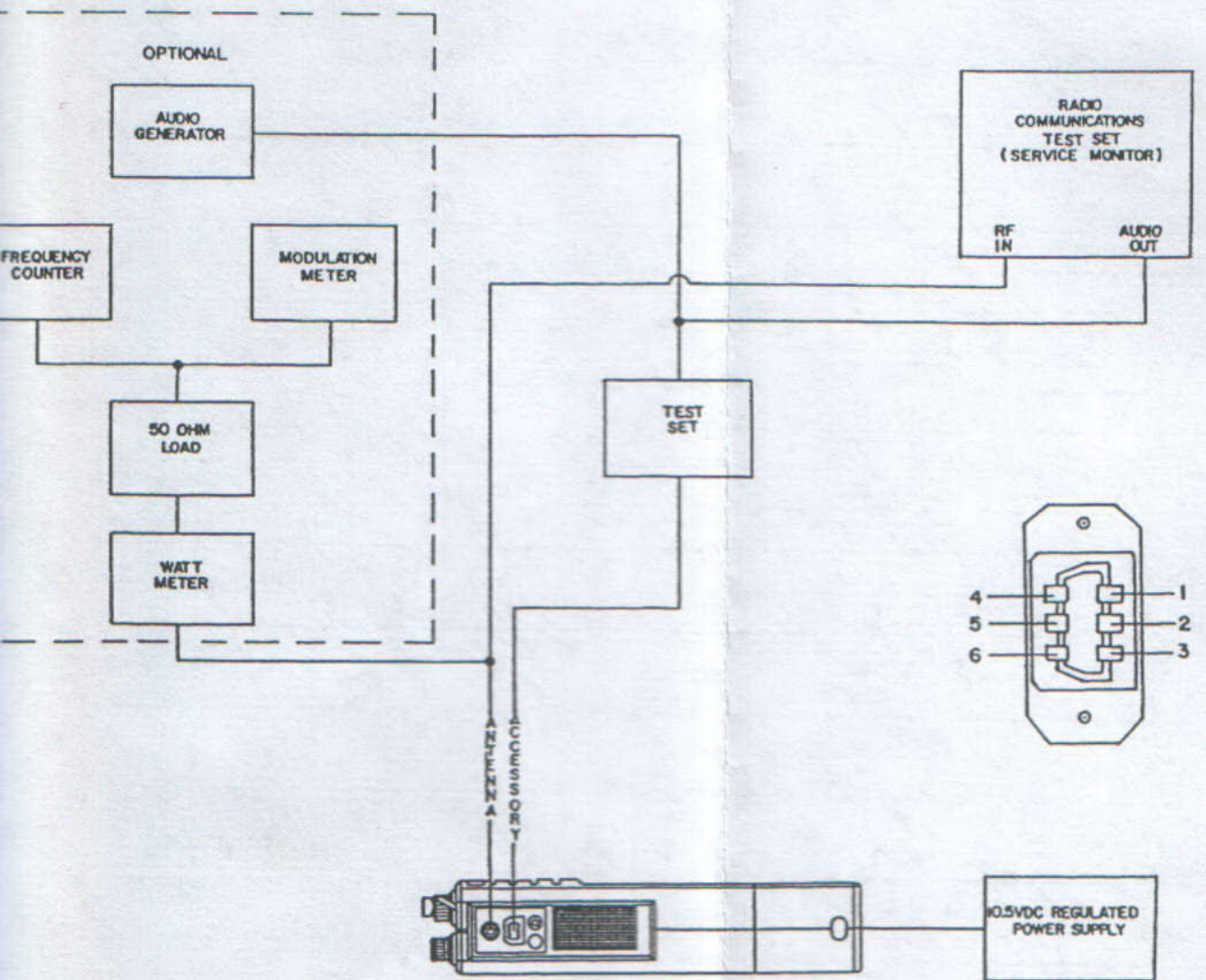


FIGURE 5-7 TRANSMITTER TEST SET-UP